

INTERFACE

Model SPI Series Capacities 3, 7.5, 15

Why INTERFACE SPI load cells are the best in class:

- Proprietary Interface temperature compensated strain gages
- .01% nonrepeatability
- 400% compression overload protection
- .0008%/°F temp effect on output
- .012%/in eccentric load sensitivity

STANDARD CONFIGURATION

- 5 Ft Integral Cable (SPI-nn)

OPTIONS*

Extra cable length
Standardized output

ACCESSORIES*

Instrumentation

* See appendix for more technical information



SPECIFICATIONS

ACCURACY – (MAX ERROR)

Nonlinearity-% FS±0.02
Hysteresis-% FS±0.02
Nonrepeatability-% RO±0.01
Creep, in 20 min.-%±0.025
Eccentric load sensitivity-%/in0.012

TEMPERATURE

Compensated Range-°F15 to 115
Compensated Range-°C-10 to 45
Operating Range-°F-65 to 200
Operating Range-°C-55 to 90
Effect on Output-%/°F – MAX±0.0008
Effect on Zero-% RO/°F – MAX±0.0015

ELECTRICAL

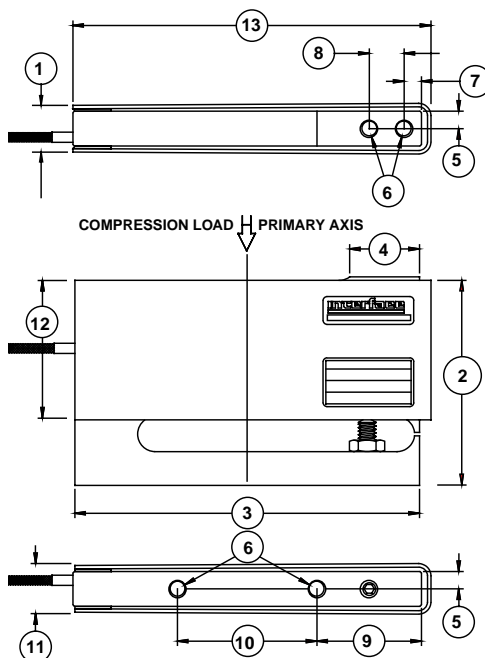
Rated Output-mV/V (Nominal)3.0
Zero Balance-% RO±5.0
Bridge Resistance-Ohm (Nominal)350
Excitation Voltage – MAX15 VDC
Insulation Resistance-Megohm5000

MECHANICAL

CalibrationComp.
Safe Overload-% CAP400
Cable length-ft5
Deflection @ RO-inchto .015
Natural Frequency/Deflection:

lbf	Deflection (inches)	Nat. Freq. (Hertz)
3	.015	130
7.5	.009	220
15	.009	220

DIMENSIONS



See Drawing	CAPACITY (lbf)					
	3		7.5		15	
	inch	mm	inch	mm	inch	mm
①	0.38	9.60	0.50	12.7	1.00	25.4
②	2.99	75.9	2.99	75.9	2.99	75.9
③	5.00	127	5.00	127	5.00	127
④	1.00	25.4	1.00	25.4	1.00	25.4
⑤	0.25	6.40	0.25	6.40	0.5	12.7
⑥	10-32 UNF-2B		1/4-28 UNF-2B		1/4-28 UNF-2B	
⑥	0.50 in deep		0.56 in deep		0.56 in deep	
⑦	0.19	4.80	0.25	6.40	0.25	6.40
⑧	0.50	12.7	0.50	12.7	0.50	12.7
⑨	1.50	38.1	1.50	38.1	1.50	38.1
⑩	2.00	50.8	2.00	50.8	2.00	50.8
⑪	0.62	15.7	0.75	19.0	0.62	15.7
⑫	2.00	50.8	2.00	50.8	2.00	50.8
⑬	5.13	130.3	5.13	130.3	5.13	130.3