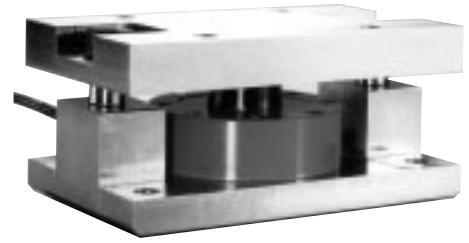


## Model A4200 and A4600 Series Weighcheck

Why INTERFACE WeighCheck load cells are the best in class:

- Capacity ranges from 5,000 to 50,000 lb
- High output – 4 mV/V
- Self-centering in all directions
- High safe side load – to 400%
- 500% overload protection (300% at 50K) (available)
- Zinc plated (A4200) or stainless steel (A4600)
- Factory assembled for easy field installation
- Static/Dynamic/In-motion capabilities
- Low height—4.0" for 5K & 10K; 5.0" for 25K & 50K



### SPECIFICATIONS

#### ACCURACY – (MAX ERROR)

Static Error Band-% FS	±0.05
Nonlinearity-% FS	±0.05
Hysteresis-% FS	±0.03
Nonrepeatability-% RO	±0.02
Creep, in 20 min-%	±0.025

#### TEMPERATURE

Compensated Range-°F	15 to 115
Compensated Range-°C	-10 to 45
Operating Range-°F	-65 to 200
Operating Range-°C	-55 to 90
Effect on Output-%/°F – MAX	±0.0008
Effect on Zero-% RO/°F – MAX	±0.0008

#### ELECTRICAL

Rated Output-mV/V (Nominal)	4.0
Zero Balance-% RO	± 1.0
Bridge Resistance-Ohms	350
Excitation Voltage – MAX	20 VDC
Insulation Resistance – Megohms	5000

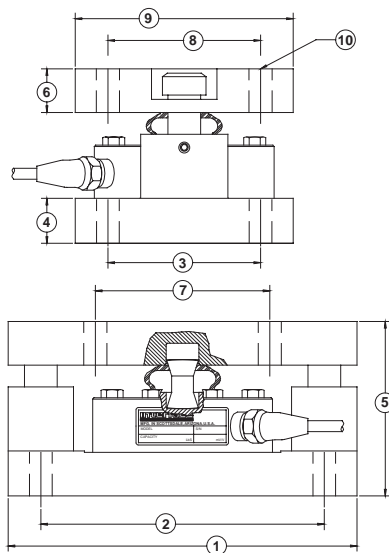
#### MECHANICAL

Calibration	Comp.
Safe Overload-% CAP	150
Cable length-ft	30

### OPTIONS\*

Zinc plated (A4200)  
Stainless steel (A4600)  
Overload protection  
Special cable length

\* See appendix for more technical information



### DIMENSIONS

See Drawing	MODEL			
	A4211, A4611		A4221, A4621	
	CAPACITY (lbf)			
	5K, 10K		25K, 50K	
	inch	mm	inch	mm
①	8.00	203.2	10.00	254.0
②	6.50	165.1	7.75	196.9
③	3.50	88.9	4.50	114.3
④	1.00	25.4	1.25	31.8
⑤	4.00	101.6	5.00	127.0
⑥	1.00	25.4	1.25	31.8
⑦	4.00	101.6	5.00	127.0
⑧	5.00	127.0	4.50	114.3
⑨	3.50	88.9	6.00	152.4
⑩	0.52	13.2	0.78	19.8