

## Model 2160 Series High Capacity Load Cells

Why INTERFACE 2160 series loadcells are best in class:

- Capacities to 1000K lbf or 4450 kN
- Accurate to  $\pm 0.1\%$  FS
- Compact Size
- Metric and English Models



### SPECIFICATIONS

PARAMETERS	Cal Grade
<b>ACCURACY</b>	
Nonlinearity - %FS	$\pm 0.10$
Hysteresis - %FS	$\pm 0.05$
Nonrepeatability - %RO	$\pm 0.03$
Creep in 20 min - %	$\pm 0.05$
<b>TEMPERATURE</b>	
Compensated Range-°F	32 to 132
Operating Range-°F	-30 to 200
Effect on Zero-%RO/°F	0.003
Effect on Output-%/°F	0.003
<b>ELECTRICAL</b>	
Rated Output - mV/V	$2 \pm 0.20$
Excitation - V AC/DC - Nominal	10
Excitation - V AC/DC - Maximum	15
Bridge Resistance-Ohm (Nominal)	350
Zero Balance - %RO	$\pm 1.0$
Insulation Resistance - Megohms	>5000
<b>MECHANICAL</b>	
Safe Overload-%CAP	150
Connector	MS3102A-14S-5P

### OPTIONS\*

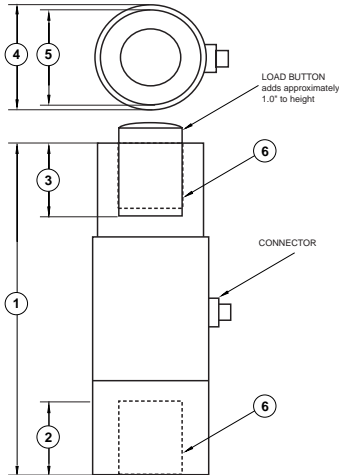
Multiple Bridge  
Standardized Output  
ASTM SPEC Calibration  
Special Thread Size  
Handles

### ACCESSORIES\*

Mating Connector  
Cable Assembly

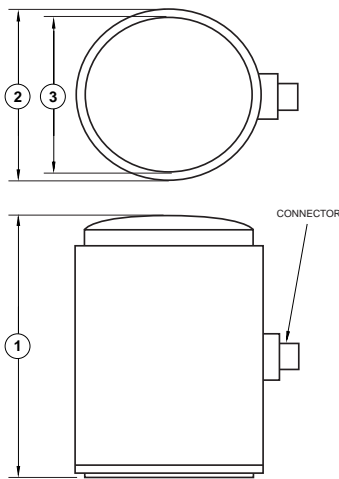
\* Please call for additional information

**Model 2160**



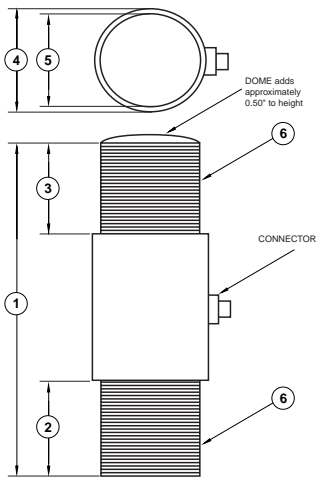
<b>DIMENSIONS</b>												
See Drawing	MODEL 2160											
	CAPACITY (lbf/kN)											
	300K	1335kN	400K	1780kN	500K	2225kN	600K	2670kN	700K	3115kN	1000K	4450kN
	inch	mm	inch	mm	inch	mm	inch	mm	inch	mm	inch	mm
①	16.50	419.1	19.00	482.6	21.26	540.0	23.25	590.6	25.50	647.7	27.80	706.1
②	3.75	95.3	4.00	101.6	4.50	114.3	5.00	127.0	5.50	139.7	6.50	165.1
③	3.76	95.5	4.00	101.6	4.50	114.3	5.00	127.0	5.50	139.7	6.50	165.1
④	5.50	139.7	5.50	139.7	6.00	152.4	7.00	177.8	7.50	190.5	9.50	241.3
⑤	5.00	127.0	5.00	127.0	5.50	139.7	6.50	165.1	7.00	177.8	9.00	228.6
⑥	3 1/2-12	M76x2	3 1/2-12	M90x2	4-12	M100x2	4 1/2-8	M100x2	5-8	M125x4	6-8	M125x4

**Model 2161**



<b>DIMENSIONS</b>												
See Drawing	MODEL 2161											
	CAPACITY (lbf/kN)											
	300K	1335kN	400K	1780kN	500K	2225kN	600K	2670kN	700K	3115kN	1000K	4450kN
	inch	mm	inch	mm	inch	mm	inch	mm	inch	mm	inch	mm
①	9.50	241.3	10.25	260.4	10.75	273.1	11.25	285.8	11.50	292.1	12.00	304.8
②	3.50	88.9	4.50	114.3	4.50	114.3	5.00	127.0	6.00	152.4	6.50	165.1
③	3.00	76.2	4.00	101.6	4.00	101.6	4.50	114.3	5.50	139.7	6.00	152.4

**Model 2163**



<b>DIMENSIONS</b>												
See Drawing	MODEL 2163											
	CAPACITY (lbf/kN)											
	300K	1335kN	400K	1780kN	500K	2225kN	600K	2670kN	700K	3115kN	1000K	4450kN
	inch	mm	inch	mm	inch	mm	inch	mm	inch	mm	inch	mm
①	12.50	317.5	14.50	368.3	16.76	425.7	18.76	476.5	21.00	533.4	23.00	584.2
②	3.75	95.3	4.00	101.6	4.50	114.3	5.00	127.0	5.50	139.7	6.00	152.4
③	3.76	95.5	4.00	101.6	4.50	114.3	5.00	127.0	5.50	139.7	6.50	165.1
④	5.50	139.7	5.50	139.7	6.00	152.4	7.00	177.8	7.50	190.5	9.50	241.3
⑤	5.00	127.0	5.00	127.0	6.50	165.1	6.50	165.1	7.00	177.8	9.00	228.6
⑥	3 1/2-12	M76x2	3 1/2-12	M90x2	4-12	M100x2	4 1/2-8	M100x2	5-8	M125x4	6-8	M125x4